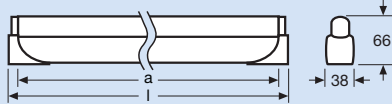


# OSRAM ECOPACK® OSRAM ECOPACK® DIM



## OSRAM ECOPACK®

| Type | Product no. WHITE | Prod. ref. | SP | l [mm] | a [mm] |
|------|-------------------|------------|----|--------|--------|
| 18 W | 4050300562124     | 72581      | 4  | 618    | 540    |
| 36 W | 4050300528359     | 72585      | 4  | 1228   | 1150   |
| 58 W | 4050300528373     | 72587      | 4  | 1528   | 1450   |

## OSRAM ECOPACK® DIM

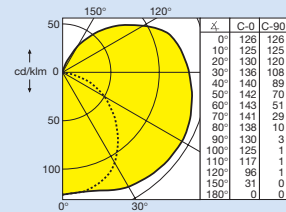
| Type | Product no. WHITE | Prod. ref. | SP | l [mm] | a [mm] |
|------|-------------------|------------|----|--------|--------|
| 18 W | 4050300561981     | 72561      | 4  | 618    | 540    |
| 36 W | 4050300562025     | 72565      | 4  | 1228   | 1150   |
| 58 W | 4050300562070     | 72567      | 4  | 1528   | 1450   |

## ACCESSORIES: Daylight sensors

| Type      | Product no. WHITE | Prod. ref. | SP |
|-----------|-------------------|------------|----|
| DIM PICO  | 4050300554457     | DIM PICO   | 20 |
| DIM MULTI | 4050300554471     | DIM MULTI  | 20 |
| DIM MICO  | 4050300464411     | DIM MICO   | 20 |

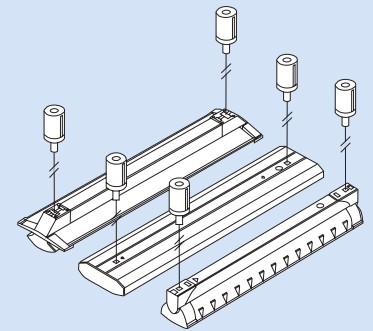
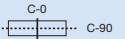
## ACCESSORIES: Pendant kit

| Type        | Product no. SILVER | Prod. ref. | SP |
|-------------|--------------------|------------|----|
| Pendant kit | 4050300792200      | 72097      | 4  |



Classification to DIN 5040: B21

Luminaire efficiency  $\eta_{LB}$ : 0.90



## Description and features

OSRAM ECOPACK® are general-purpose cost-effective batten luminaires for 26 mm fluorescent lamps with ECG for continuous economical lighting.

- Low-cost electronic batten luminaires for continuous economical lighting
- Free-burning lamp for maximum luminous flux
- With QUICKTRONIC® PROFESSIONAL or QUICKTRONIC® DIMMABLE electronic control gear
- OSRAM ECOPACK® DIM
- Dimmable from 100 % to 1 %
- Controlled by 1...10V DC control signals, suitable for daylight-dependent lighting control using OSRAM light sensors

## Technical data and equipment

- Supplied without lamps
- Mains voltage: 230-240 V/0, 50-60 Hz
- IP20
- Colour: white

## Accessories

- Daylight sensors for constant lighting control for OSRAM ECOPACK® DIM
- Pendant kit (for a description see page 23)

