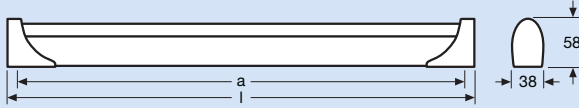


OSRAM ECOPACK®-FQ OSRAM ECOPACK®-FQ DIM



OSRAM ECOPACK®-FQ

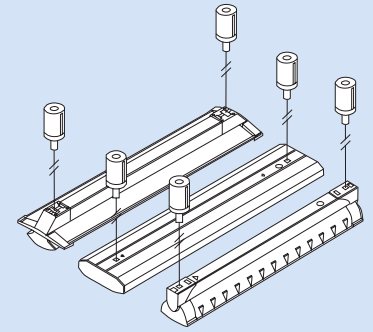
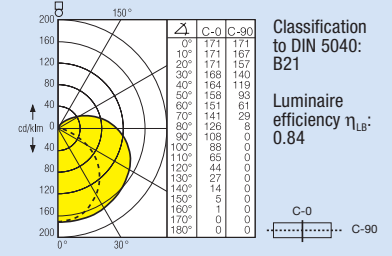
| Type | Product no. <small>WHITE</small> | Prod. ref. | SP | l [mm] | a [mm] |
|------|----------------------------------|------------|----|--------|--------|
| 24 W | 4050300797762 | 72630 | 4 | 584 | 538 |
| 39 W | 4050300859187 | 72631 | 4 | 884 | 838 |
| 54 W | 4050300859200 | 72632 | 4 | 1184 | 1138 |

OSRAM ECOPACK®-FQ DIM

| Type | Product no. <small>WHITE</small> | Prod. ref. | SP | l [mm] | a [mm] |
|------|----------------------------------|------------|----|--------|--------|
| 24 W | 4050300859767 | 72640 | 4 | 584 | 538 |
| 39 W | 4050300859781 | 72641 | 4 | 884 | 838 |
| 54 W | 4050300859804 | 72642 | 4 | 1184 | 1138 |

ACCESSORIES: Pendant kit

| Type | Product no. <small>SILVER</small> | Prod. ref. | SP |
|-------------|-----------------------------------|------------|----|
| Pendant kit | 4050300792200 | 72097 | 4 |



Description and features

OSRAM ECOPACK®-FQ luminaires are extremely bright. Thanks to innovative 16 mm FQ® fluorescent lamps, these luminaires provide up to 50 % greater luminous flux than batten luminaires of the same length equipped with 26 mm fluorescent lamps.

- Compact electronic batten luminaires for fixed connection
- With innovative FQ® fluorescent lamp
- With QUICKTRONIC® QT-FQ or QT-FQ DIM electronic control gear
- Long lamp life thanks to cut-off technology
- Without cover for maximum luminous flux
- OSRAM ECOPACK®-FQ DIM:
 - dimmable from 100 % to 1 %
 - controlled by 1...10V DC control signals, suitable for daylight-dependent lighting control using OSRAM light sensors

Technical data and equipment

- Equipped with FQ® lamp in light colour 840
- Mains voltage: 230-240 V/0, 50-60 Hz
- IP20
- Colour: white

Accessories

- Daylight sensors for constant lighting control for OSRAM ECOPACK®-FQ DIM (see page 20)
- Pendant kit (for a description see page 23)

