



## A brilliant companion

**CAMPING LED from OSRAM –  
compact, powerful and durable**



SEE THE WORLD IN A NEW LIGHT



# Small in size but big on benefits: CAMPING LED from OSRAM

The latest addition to our family of camping lanterns is a bright young thing. In fact, the high-power GOLDEN DRAGON® LED is the brightest LED that OSRAM can currently offer. This lantern is ideal for people on the move, thanks to its compact, lightweight, yet robust design. If you are travelling light and every square inch in your rucksack counts, you'll really appreciate the benefits of this lantern. It will fit in any pocket – and because it weighs just 112g (without batteries) it will not be a burden to you.

## LEDs last longer

One of the main benefits of our small lantern is that its extremely long-life LED (light emitting diode) consumes very little power despite its brilliance. The batteries in the CAMPING LED will therefore last longer – much longer in fact than those in an ordinary torch with a conventional incandescent lamp. It is therefore much rarer to find yourself without light – and that's a big plus when you're camping or involved in some other outdoor activity.

What's more, the light from the CAMPING LED can be dimmed to 25% of its full output. You just have to push a button. So late at night you can have enough light to find your way around without waking your fellow travellers, while saving electricity.



*The camping lantern with "dipped light": The light can be dimmed to 25% of its normal brightness so it's also perfect as a reading light.*



*Indoors or outdoors, CAMPING LED from OSRAM is always at home.*



*Both hands free. With its extendable feet, the CAMPING LED can be used anywhere as a bright work light.*

## Ideal on the move, ideal at home

The new CAMPING LED from OSRAM can of course also be used at home – for example for searching certain items in the cellar, for working in dark corners or in the garden at night. Its versatility and durability really make a difference though for outdoor activities. For car journeys, cycle tours, camping holidays or hiking trips, the rugged, impact-resistant CAMPING LED is perfect as a mobile light source. With its hanger and fold-out feet it can be used as a table light, room light or for any activity where you need both hands free.



*Brilliant light even in the darkest spaces. You'll always find a suitable place for the practical hanger.*

### All the benefits at a glance:

- The lantern with the new, high-power GOLDEN DRAGON® LED
- Two brightness levels: 100 % (full brightness) and 25 % (particularly kind to batteries, up to 100 hours of light)
- Compact and lightweight (only 112 g)
- Hanger and fold-out feet
- Low power consumption and extremely long life thanks to LED technology
- Particularly robust and shockproof

The new CAMPING LED from OSRAM is a versatile and durable camping lantern for everyone who needs reliable, bright light for their indoor or outdoor activities.

# CAMPING LED – the compact bundle of energy



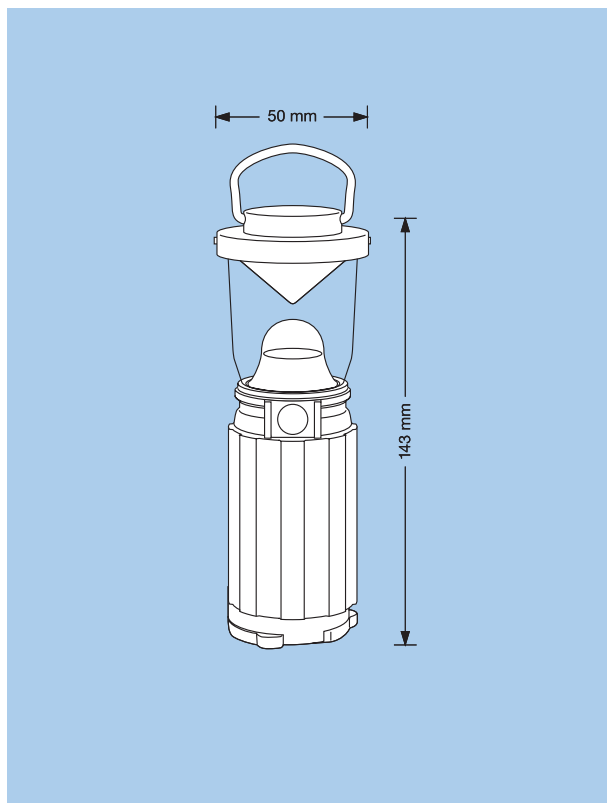
*When folded out, the feet provide excellent stability.*



*The feet can be folded neatly back in.*



*The reflector provides optimum illumination by directing the bright light to the side.*



## Technical data

CAMPING LED	
EAN 4050300	884 943
Dimensions	143 x Ø 50 mm
Weight	112 g (excl. batteries)
Rated wattage	1,2 W
Colour	silver/blue
Standard pack	6
Batteries	4 x Mignon AA (not included)



*Attractive packaging: the CAMPING LED is a brilliant companion, not only for friends of the great outdoors.*