

## Technical Information

No. 5264

Edition: 05/04 - subject to change

Substitutes: Edition 00/00

Status: preliminary

## Xenon Short Arc Lamp

# XBO<sup>®</sup> 3000 W/HTC OFR

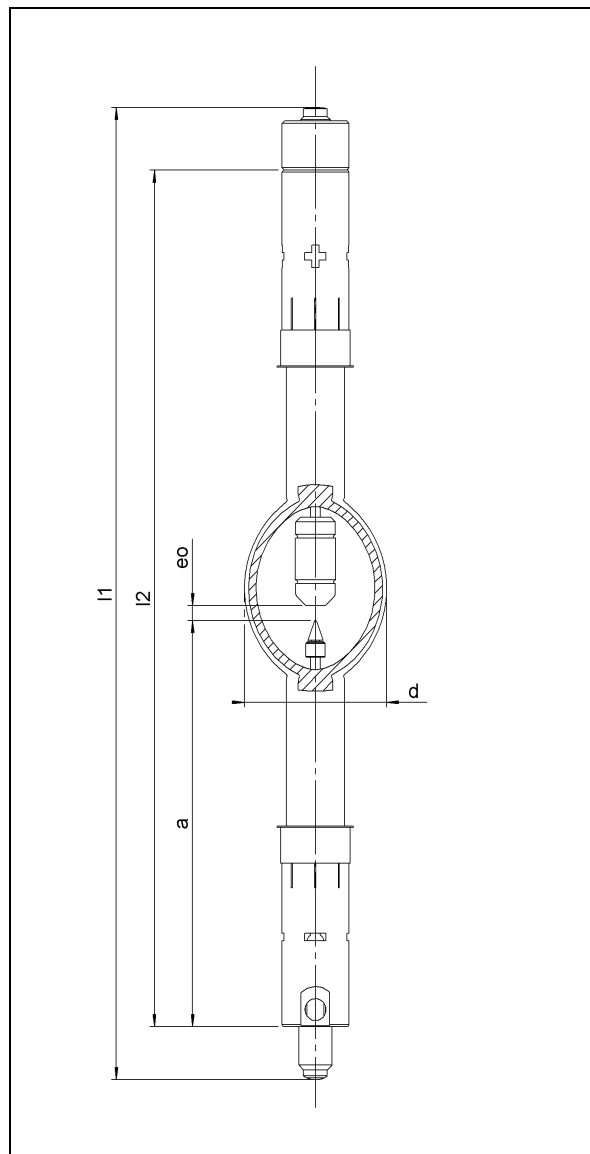
### ■ Product description

The OSRAM XBO<sup>®</sup> 3000 W/HTC OFR is a DC-operated lamp that is especially suited for applications requiring excellent arc stability and a high luminance. The OSRAM XBO<sup>®</sup> 3000 W/HTC OFR is designed for horizontal burning position (H = horizontal).

### ■ Technical data

Order reference		XBO <sup>®</sup> 3000 W/HTC OFR
Rated lamp wattage	W	3000
Rated lamp voltage	V	29
Rated lamp current (=)	A	100
Current control range	A	60 - 110
Ignition voltage	kV <sub>s</sub>	36
Min. open circuit voltage for cold / hot ignition	V	85 / 110
Luminous flux	lm	130000
Luminous intensity	cd	12000
Average luminance	cd/cm <sup>2</sup>	85000
Luminous area w x h *)	mm	1.7 x 5.0
Electrode gap e (cold)	mm	6.0
Lamp length (overall) L <sub>1</sub>	mm	max. 398
Lamp length L <sub>2</sub>	mm	max. 350
LCL a	mm	165
Bulb diameter d	mm	60
Average service life	h	1500
Base		Cathode: SFaX 28-13 Anode: SFc 28-13

\*) w = luminance half width value; h = height of luminance area (corresponds to electrode gap, hot)



### ■ Lamp operation

Maximum permissible base temperature	°C	230
Cooling		forced cooling / fan
Min. air flow velocity around discharge vessel	m/s	6
Magnetic arc stabilization		Required for horizontal operation
Burning position		s 30 (vertical ± 30° ; anode up) ; p 30 (horizontal ± 30°)